

COMET P&P

WSI Refrigeration

PLUG & PLAY

SEMI - VERTICAL CABINETS



RETAIL SYSTEM | PRODUCT





OPEN OR DOORS

- Available in SKY (S) and Horizon (H) design line.
- Low front base – maximized total display area
- Soft closing hinged doors

COMET P&P

COMET P&P is a semi-vertical plug-in refrigerated cabinet with condensation unit at the bottom of the cabinet. Condensation unit below the cabinet is very low and occupies an extremely small space which increases the total display area of COMET P&P cabinets. The condensate unit is installed in a pull-out drawer, which enables easy access for maintenance. With its half height, Comet enables to obtain a **perfect cooling performance and low height area requirements**. This type of cabinet is an ideal solution for any type of sales area, it enhances the visibility of the displayed products and provides reduction in energy consumption.

COMET P&P is suitable for self-service sale of **prepacked products such as**

sushi, meat, delicatessen, dairy products. COMET P&P has also **FLOWER and WINE configuration** with mirror effect and special designed stainless steel shelves. It is ideal to display bottles at an optimal temperature.

Due to implemented natural refrigerant R290 COMET P&P is operating quietly and leaves a smaller footprint on the environment.

Refrigerant: R290

COMET SP&P cabinets have unified design, base and bumper height, aligned with cabinets SKY P&P and NEPTUN S P&P, perfect for side by side placement, generating **a harmonized and engaging refrigeration line.**

CUSTOMIZATION

- Controller options (Danfoss, Carel, Dixell, Wurm, Eliwell)
- Number of shelves
- Horizontal LED lightning (colour adapted to food group)
- High efficiency EC fans
- Stainless steel bumper
- PVC bumper
- Sliding doors
- Complete stainless steel interior version
- WINE version
- Endwalls/Intermediate – blind, panoramic, mirrored
- A variety of interior / exterior colour options

Accessories: wine shelves, meat hangers, shelf dividers, shelf and base grids, plexi product stoppers, base grids, etc..

STANDARD EQUIPMENT

- Manual night curtain
- Canopy LED lighting



COMET P&P Open

- Temperature class: M1 / M2 / H1



COMET P&P Doors

- Temperature class: M0 / M1 / M2 / H1

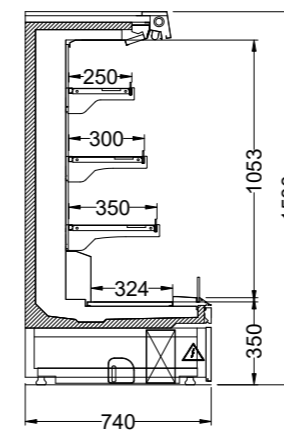
COMET S P&P:

- Glass top canopy (COMET P&P S Open)
- Full height frameless hinged glass doors
- High efficiency EC fans

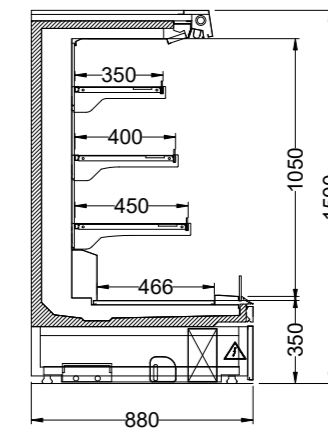
COMET H P&P:

- Metal top canopy - a variety of color options available (COMET P&P H Open)
- Transparent hinged glass doors

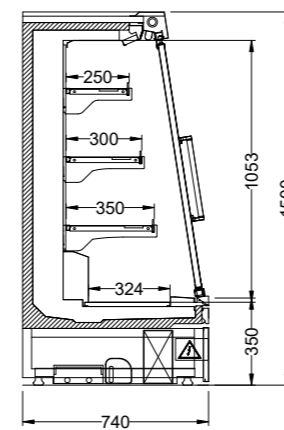
COMET 74 Open P&P



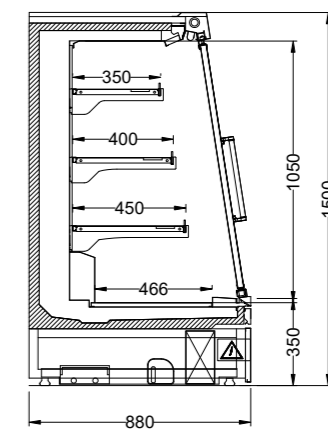
COMET 88 Open P&P



COMET 74 Doors P&P



COMET 88 Doors P&P



Design	Height (mm)	Vizual display (mm)	Depth (mm)	Shelf depth (mm)	Lenght (mm)				Head Piece Lenght (mm)		Temperature class*	
					938	1250	1875	2500	1580	1955	M1	M2
74	1500	1053	740	250 - 350	✓	✓	✓	✓	✓	X	Open Doors	Open Doors
88	1500	1053	880	350 - 450	✓	✓	✓	✓	X	✓	Open Doors	Open Doors

COMET P&P WINE

- Elegant solution for wine display
- Glass top canopy
- Specially designed shelves for bottles
- Available with double glass frameless doors

COMET P&P FLOWER

- Perfect display of flowers or herbs
- Keeping plants at an optimal temperature
- Specially designed shelves adjusted for pots

COMET P&P WINE



COMET P&P FLOWER

